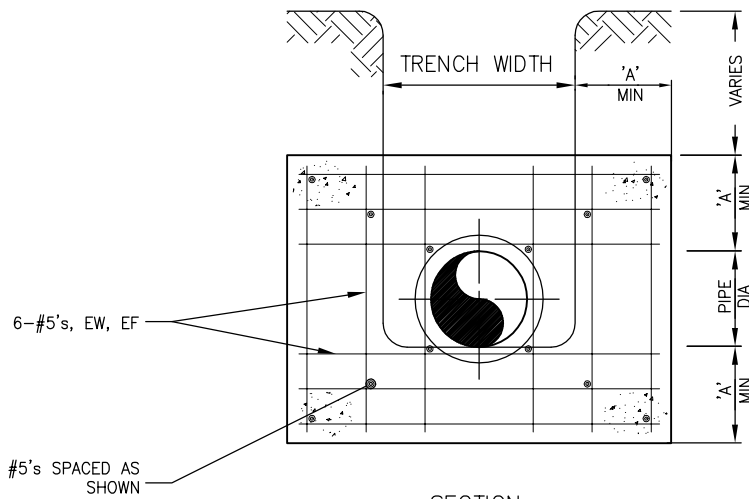


ELEVATION



SECTION

PIPE DIAMETER	'A' DIMENSION	'B' DIMENSION
6" - 24"	1' - 4"	1' - 8"
> 24"	PER ENGR.	PER ENGR.

**JCWSA STANDARD DETAIL C-14
THRUST COLLAR**

SCALE: NTS
DATE OF LAST REVISION: 12/06

JACKSON COUNTY
WATER & SEWERAGE AUTHORITY

