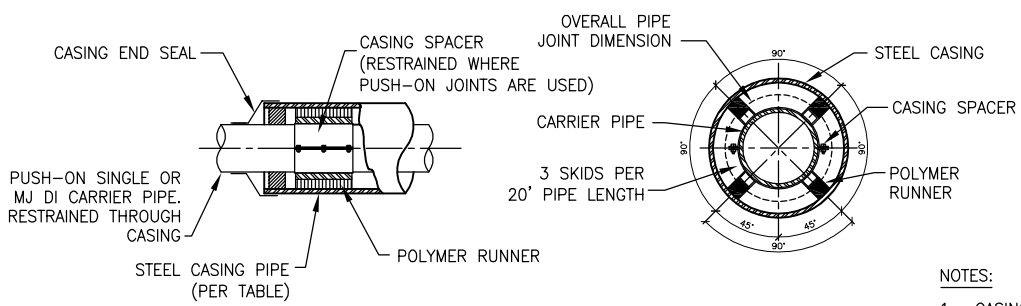


STEEL CASING TABLE		
CARRIER PIPE SIZE	CARRIER PIPE SIZE	CARRIER PIPE WALL (IN.)
6"	14"	0.25"
8"	16"	0.25"
12"	20"	0.25"
16"	24"	0.25"



- NOTES:
1. CASING PIPE TO MEET ASTM A-139, GRADE B.
 2. CASING PIPT TO HAVE BITUMINOUS COATING.

**JCWSA STANDARD DETAIL C-15
BORED HIGHWAY CROSSING**

SCALE: NTS
DATE OF LAST REVISION: 12/06

