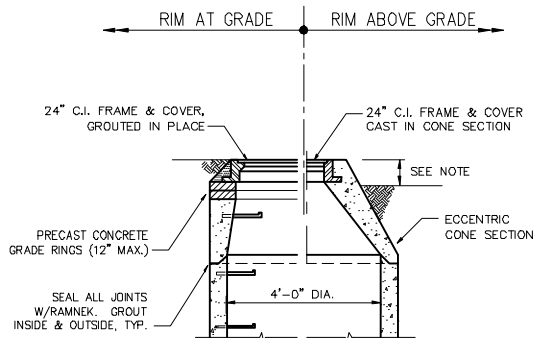
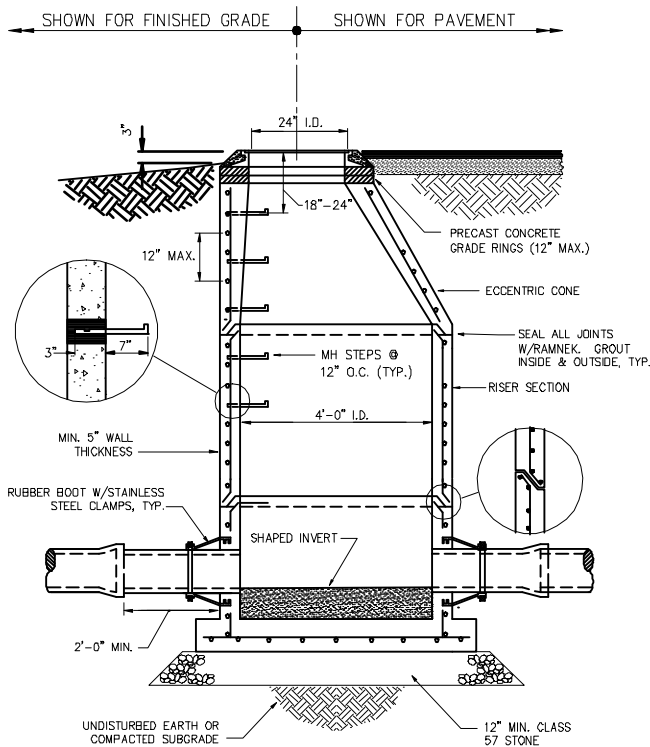


**MANHOLE BASE DETAIL FOR  
5'-0" DIA. OR LARGER BASES**

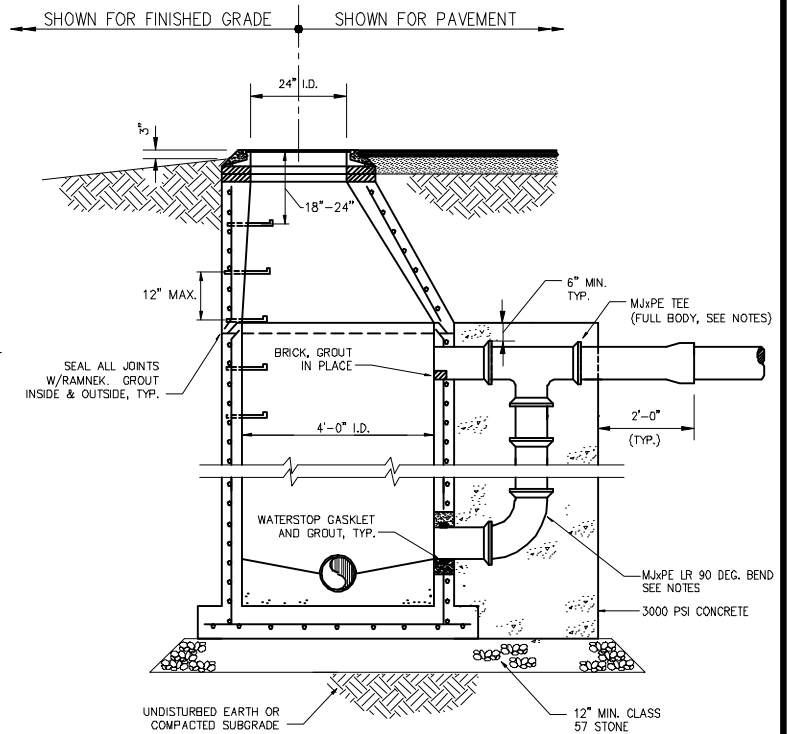


NOTE: SET RIM ELEVATION 3" ABOVE GRADE IN FLOOD-PRONE OR SWAMPY AREAS OR WHERE DIRECTED BY THE AUTHORITY.

**MANHOLE CONE DETAILS**



**STANDARD PRECAST CONCRETE MANHOLE**



**STANDARD OUTSIDE DROP MANHOLE**

**NOTES:**

1. ALL CONCRETE ENCASED "DROP CONNECTION" PIPE & FITTINGS ARE D.I.
2. ALL CONCRETE ENCASED "DROP CONNECTION" FITTINGS ARE FULL BODY.

**JCWSA STANDARD DETAIL D-1  
MANHOLE DETAILS**

**SCALE: NTS  
DATE OF LAST REVISION: 12/06**

**JACKSON COUNTY  
WATER & SEWERAGE AUTHORITY**