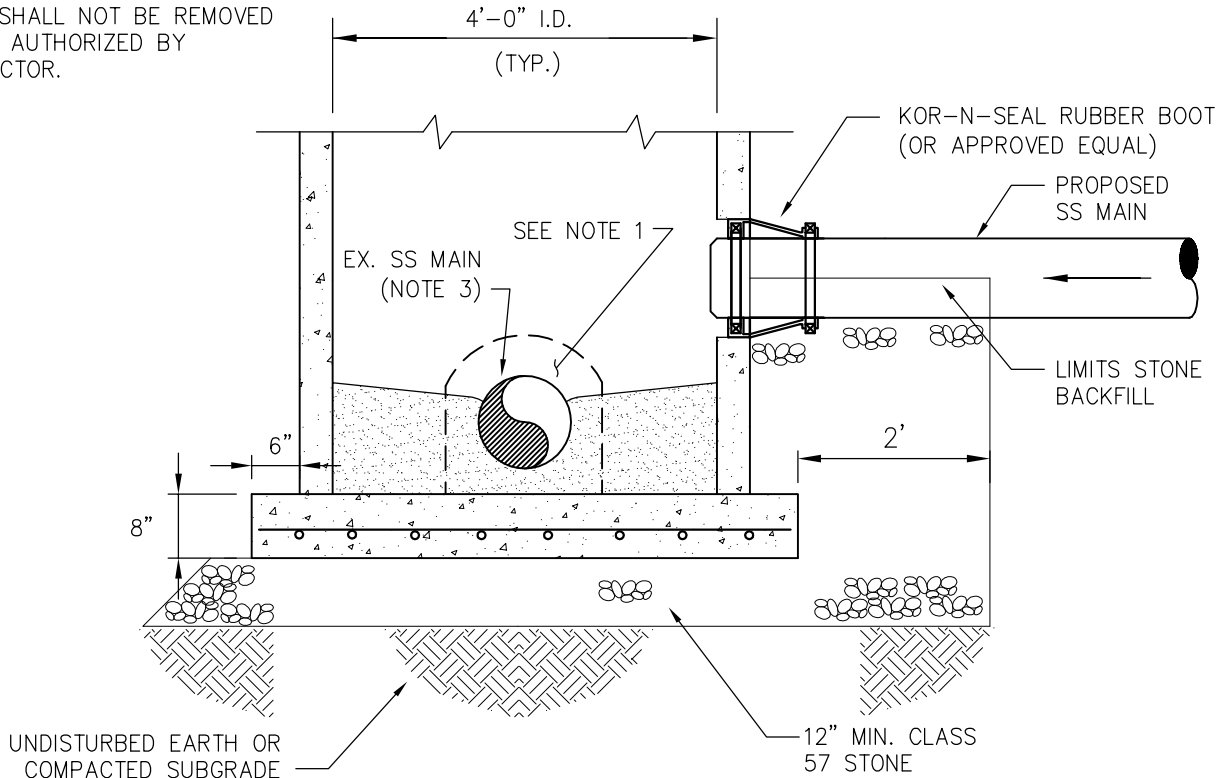


PLAN

NOTES

1. GROUT OPENING BETWEEN EXISTING PIPE AND NEWLY INSTALLED DOGHOUSE RISER WITH NON-SHRINK GROUT.
2. PROPOSED PIPE SHALL HAVE A MINIMUM 8" DROP INTO MANHOLE WHENEVER POSSIBLE.
3. TOP PORTION OF EXISTING PIPE SHALL NOT BE REMOVED UNTIL AUTHORIZED BY INSPECTOR.



SECTION A-A

**JCWSA STANDARD DETAIL D-2
DOGHOUSE MANHOLE**

SCALE: NTS
DATE OF LAST REVISION: 12/06

**JACKSON COUNTY
WATER & SEWERAGE AUTHORITY**

