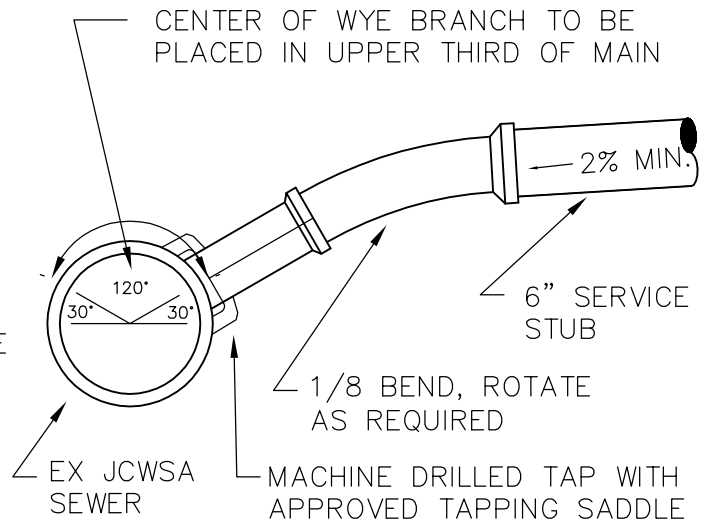
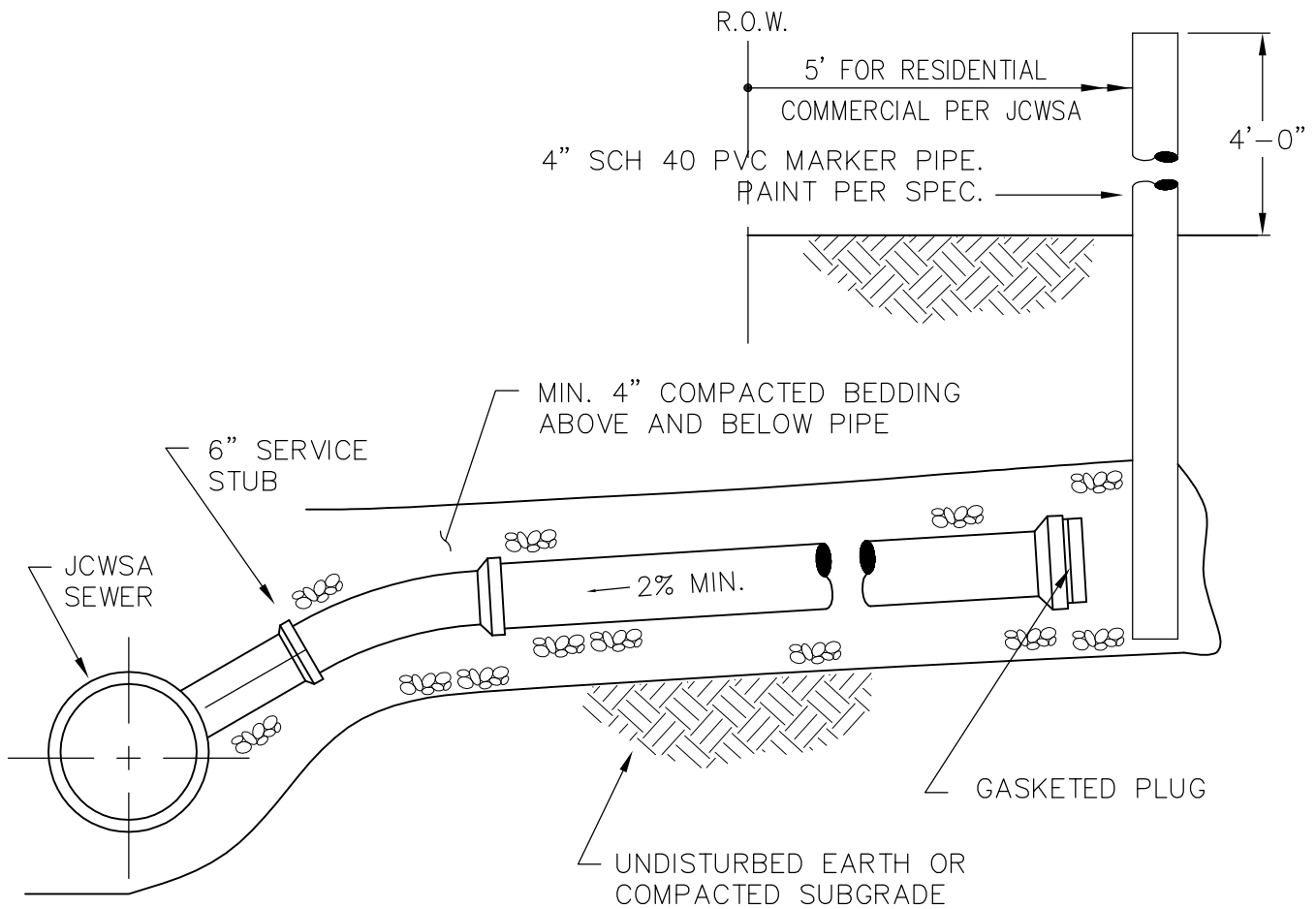


6" SERVICE STUB ON NEW MAIN



6" SERVICE STUB ON EXISTING MAIN



**JCWSA STANDARD DETAIL D-4  
SEWER SERVICE STUB**

SCALE: NTS  
DATE OF LAST REVISION: 12/06

**JACKSON COUNTY**  
WATER & SEWERAGE AUTHORITY