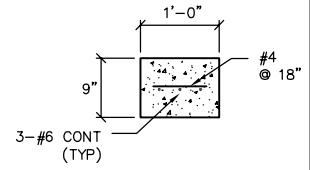


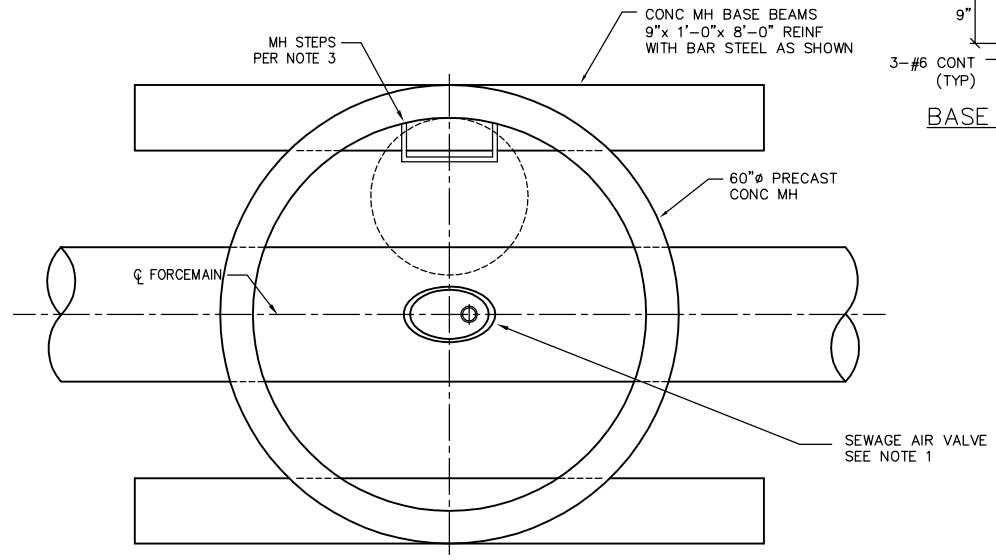
ELEVATION

* - SEE NOTE 1

BACKFILL WITH CL 67 STONE TO TOP OF PIPE



BASE BEAM DETAIL



PLAN

NOTES:

1. SIZE AIR VALVES PER MANUF. RECOMMENDATIONS BASED ON FORCEMAIN SIZE AND CONFIGURATION.
2. USE 8" MJ TAPPING SADDLE FOR 12" AND LARGER FORCEMANS, USE 4" MJ TAPPING SADDLE FOR 10" AND SMALLER FORCEMANS.
3. THE DISTANCE BETWEEN RUNGS, CLEATS, AND STEPS SHALL NOT EXCEED 12 INCHES AND SHALL BE UNIFORM THROUGHOUT THE LENGTH OF THE LADDER. LADDER RUNGS ARE REQUIRED IN PRECAST CONC MH.

**JCWSA STANDARD DETAIL D-6
SEWAGE AIR RELEASE VALVE MANHOLE**

SCALE: NTS
DATE OF LAST REVISION: 12/06

