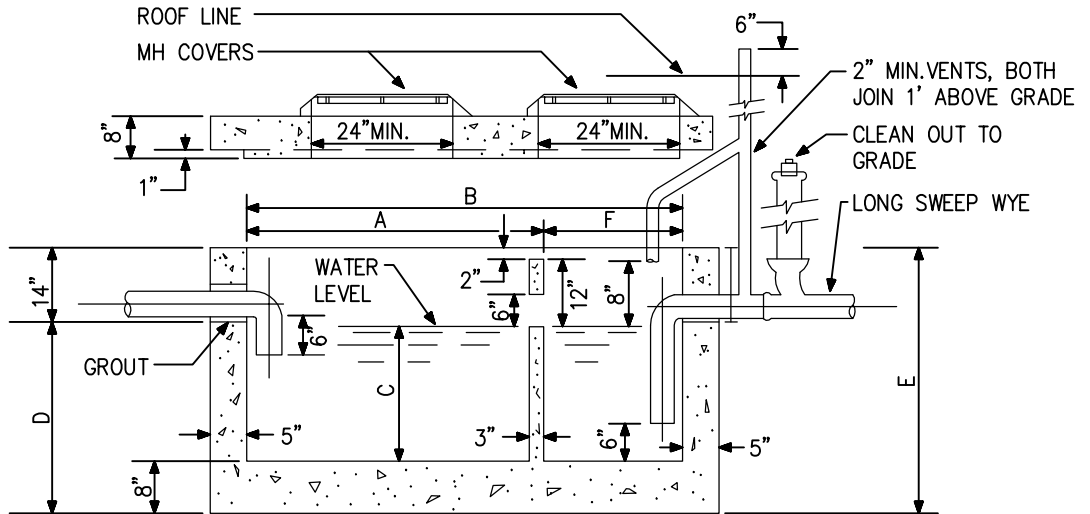


PLAN VIEW

WATER CAPACITY APPROX. GALLONS	DIMENSIONS					
	TWO COMPARTMENT TANK					
	INCHES					
	A	B	C	D	E	F
320	48	72	22	30	44	24
500	48	72	36	46	44	24
780	48	96	40	48	62	32
1060	72	102	34	42	56	34



SECTION

NOTES:

1. PIPE AND FITTINGS SHALL BE CAST OR DUCTILE IRON, MINIMUM 3" DIAMETER.
2. SMALL COMPARTMENT HAS 1/3 TOTAL CAPACITY.
3. WALLS AND BOTTOM REINFORCED THROUGHOUT WITH 2 x 6 6/10 REMESH.
4. COVERS SHALL BE REINFORCED LONGITUDINALLY WITH NO.6 REBAR ON 6" CENTERS, NO.4 REBAR ON 6" CENTERS WIDTHWISE, AND NO.8 REBAR DIAGONALLY AROUND ACCESS HOLES.
5. CLEAN OUT SHALL BE AN IRON BODY FERRULE WITH BRASS SCREW PLUG.
6. VENT PIPE SHALL BE DUCTILE IRON TO A POINT 6" ABOVE GROUND.
7. MANHOLE RING AND COVER SHALL BE AUTHORITY STANDARD.
8. CHECK WITH SUPPLIER FOR EXACT DIMENSIONS.
9. NO BOLT DOWN COVERS ALLOWED WITHOUT APPROVAL FROM THE AUTHORITY.
10. FOR CAPACITIES OTHER THAN SHOWN SEE AUTHORITY ENGINEER.

**JCWSA STANDARD DETAIL D-9  
SAND AND OIL INTERCEPTOR**

SCALE: NTS  
DATE OF LAST REVISION: 12/06

**JACKSON COUNTY**  
WATER & SEWERAGE AUTHORITY

